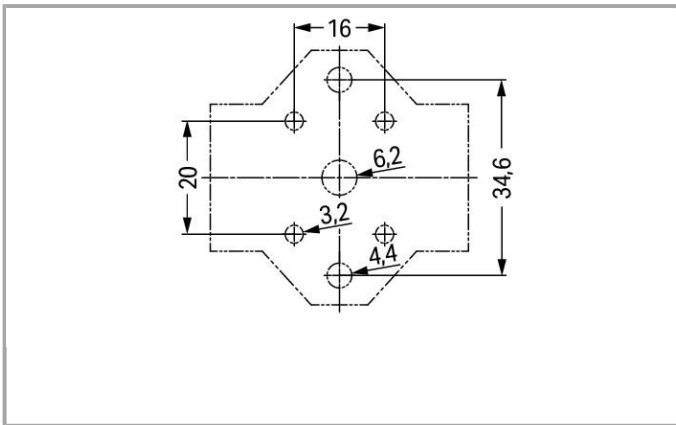
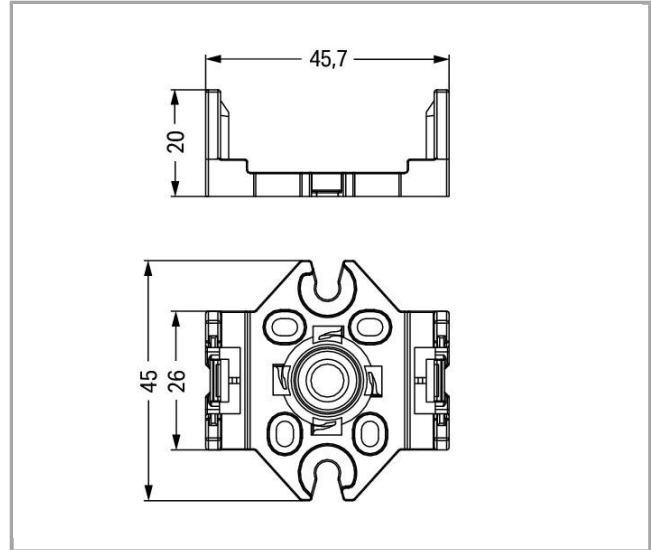


770-674



Data

Mechanical data

Mounting type

Screw mounting

Material Data

Color

white

Insulating material

Polyamide 66 (PA 66)

Flammability class per UL94

V0

Fire load

0.184 MJ

Weight	6.13 g
--------	--------

Environmental Requirements

Processing temperature	-5 +40 °C
Continuous operating temperature	-35 +85 °C
Note on Continuous Service Temperature	Insulating parts for temperatures ≤ 105 °C

Commercial data

Product Group	20 (WINSTA)
Country of origin	DE
GTIN	4044918451437
Customs Tariff No.	39269097900

Compatible products

assembling



Item no.: 770-601
Fixing pin; 6 mm Ø, for 1.0 ... 2.5 mm mounting plates; Plastic; black

770-601



Item no.: 890-601
Fixing pin; 6 mm Ø, for 1.0 ... 2.5 mm mounting plates; Plastic; black

890-601

Downloads

Documentation

Bid Text

770-674	doc 23.0 kB	Download
---------	----------------	----------

CAD/CAE - Smart Data

CAD data

3D Download 770-674	URL	Download
---------------------	-----	----------

WSCAD

WSCAD Universe		Download
----------------	--	----------



Subject to changes.
